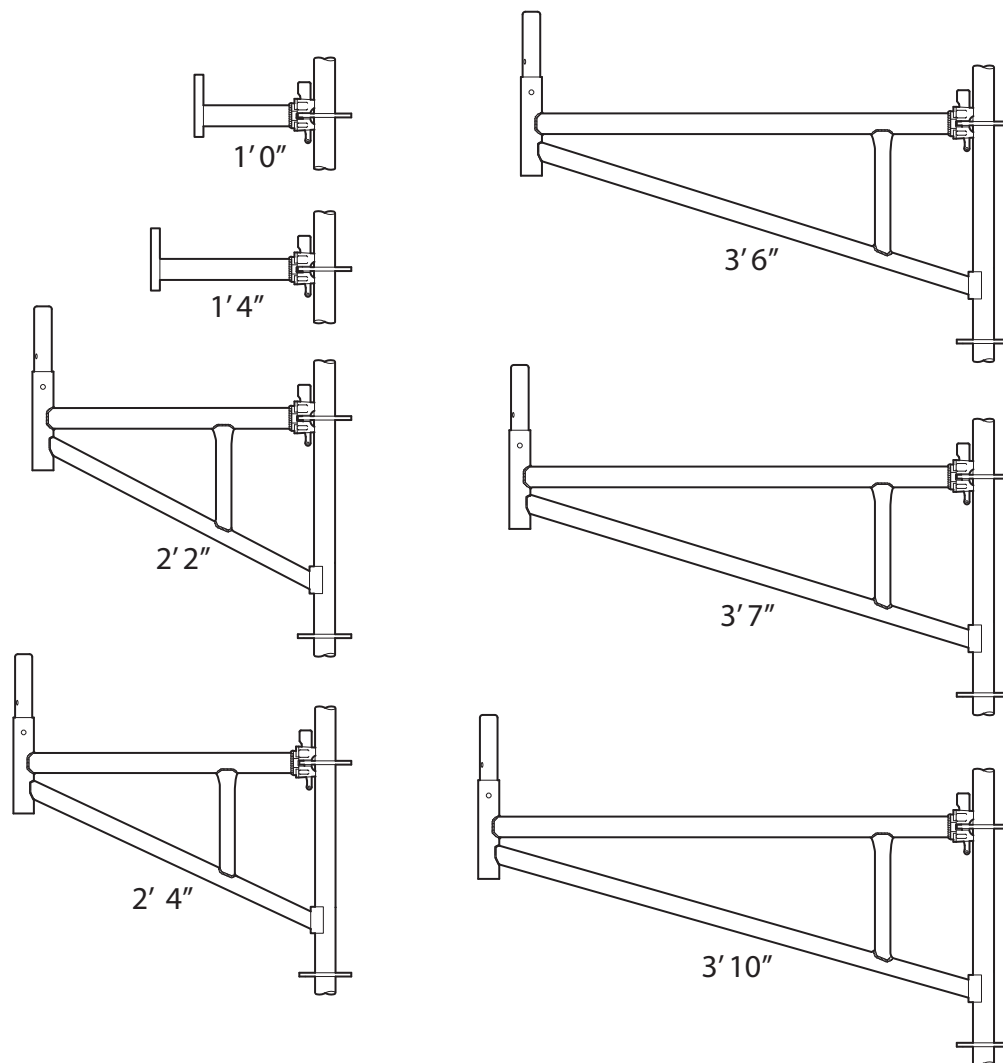




System Side Brackets

PRODUCT INFORMATION SHEET



Product Code	Description	Nominal Length		Weight	
		Inches	Meters	Lbs.	Kg.
SBB10	1' 0" Side Bracket	12.0	0.30	9.4	4.3
SBB14	1' 4" Side Bracket	16.0	0.41	10.1	4.6
SBB22	2' 2" Side Bracket	26.0	0.66	13.1	5.9
SBB24	2' 4" Side Bracket	28.0	0.71	13.5	6.1
SBB36	3' 6" Side Bracket	42.0	1.07	18.1	8.2
SBB37	3' 7" Side Bracket	43.0	1.09	18.5	8.4
SBB310	3' 10" Side Bracket	46.0	1.17	20.1	9.1

R9